

Reissued: 13-Apr-00

Model: Kaiser1	Date: 29-Feb-00	No.: RH306001a
----------------	-----------------	----------------

## RTB Correction

The items in bold italics have been corrected or added.

Subject: ROM History (Kaiser 1)		Prepared by: M. Mano	
From: Technical Services Dept., GTS Division			
Classification:	<input type="checkbox"/> Troubleshooting	<input type="checkbox"/> Part information	<input type="checkbox"/> Action required
	<input type="checkbox"/> Mechanical	<input type="checkbox"/> Electrical	<input type="checkbox"/> Service manual revision
	<input type="checkbox"/> Paper path	<input type="checkbox"/> Transmit/receive	<input checked="" type="checkbox"/> Retrofit information
	<input type="checkbox"/> Other ( )		

Firmware history for the Kaiser1 (USA Model)

H3067220	File No. (H306Uxxx)	Version	C.SUM	Production
A	023	23	19C6	1st Mass Prod.
B	024	24	31E8	January Prod. '00
<b>C</b>	<b>025</b>	<b>25</b>	<b>BF64</b>	<b>March Prod. '00</b>

Symptom Corrected	USA
<b><i>NCU parameter No.07 (Minimum required length for the first ring: 480977) and 08 (Minimum required length for the second and subsequent rings: 480978) could not be adjusted.</i></b>	C
<b><i>If the left cover is opened approximately 5~10 ms before transfer roller cleaning is complete, the cover open indicator may stay on.</i></b>	C
<b><i>Some fusing parameters have been moved from SRAM to ROM storage. This is because some SRAM values may change if the Function Upgrade Card is installed with the battery switch off and the machine later enters the Energy Saver Mode Level 2 (low power standby).</i></b>	C
<b><i>If the machine receives an incoming fax while in Energy Saver Mode, the fax may not be printed out. This problem does not occur with the printer function.</i></b>	B
<b><i>Even if the first file of a G4 batch transmission is the only reduced file, the image reduction symbol appears on the journal for all files.</i></b>	B
<b><i>When User Parameter switch 05 bit 0="0" (substitute reception OFF), the machine cannot receive files with the Confidential, Transfer, 2 in 1, Collate, or Memory Lock functions. There are no problems with Image Rotation or Page Reduction.</i></b>	B
<b><i>When a machine with an optional G3 unit installed goes into Energy Saver Mode just after the G3 unit reset timer expires (System switch 02 bit 4), the machine cannot receive incoming faxes using the optional G3 unit during Energy Saver Mode. There are no problems once the machine recovers form Energy Saver Mode.</i></b>	B

H3067220	H306-20/29
<b>B</b>	<b>A1400100001~</b>
<b>C</b>	<b>A1400300001~</b>

Model: Kaiser1		Date: 29-Feb-00	No.: RH306002
Subject: Note on the PIF's grounding plate attachment		Prepared by: M. Mano	
From: Technical Services Dept., GTS Division			
Classification:	<input type="checkbox"/> Troubleshooting	<input type="checkbox"/> Part information	<input type="checkbox"/> Action required
	<input checked="" type="checkbox"/> Mechanical	<input type="checkbox"/> Electrical	<input type="checkbox"/> Service manual revision
	<input type="checkbox"/> Paper path	<input type="checkbox"/> Transmit/receive	<input type="checkbox"/> Retrofit information
	<input type="checkbox"/> Other ( )		

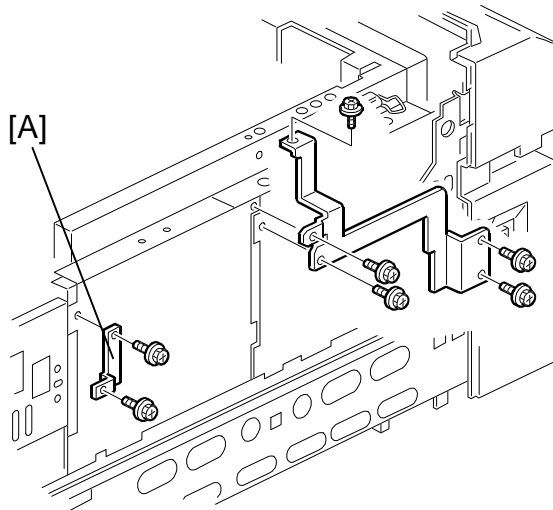
### Symptoms:

The PIF option grounding plate [A] (P/N: H3064662) in the following 15 units will bend slightly when you attach it, as shown in figure 2.

**Serial number: A2300100001 ~ 15**

However, the plate will function normally and the slight bending will not affect the operations of the printer unit or mainframe in any way.

[Fig. 1]



H1441604.WMF

[Fig. 2]



Model: Kaiser1		Date: 17-Mar-00	No.: RH306003
Subject: Squeaking Sound From The ADF Unit		Prepared by: M. Mano	
From: Technical Services Dept., GTS Division			
Classification:	<input type="checkbox"/> Troubleshooting	<input type="checkbox"/> Part information	<input checked="" type="checkbox"/> Action required
	<input type="checkbox"/> Mechanical	<input type="checkbox"/> Electrical	<input type="checkbox"/> Service manual revision
	<input type="checkbox"/> Paper path	<input type="checkbox"/> Transmit/receive	<input type="checkbox"/> Retrofit information
	<input type="checkbox"/> Other (      )		

## Symptoms

A squeaking sound can be heard coming from the ADF unit.

## Cause

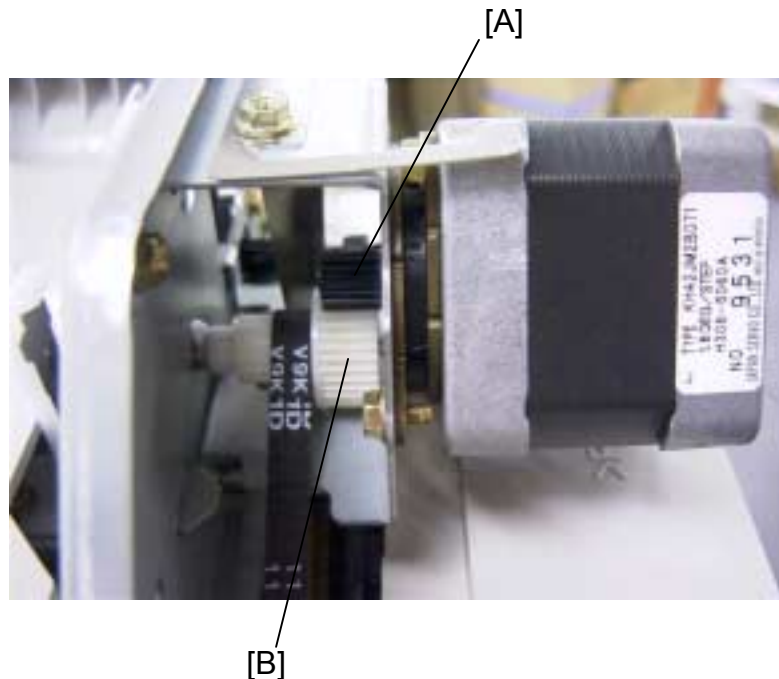
Vibration of the ADF motor gear [A] and ADF rear slow down gear [B] as shown below.

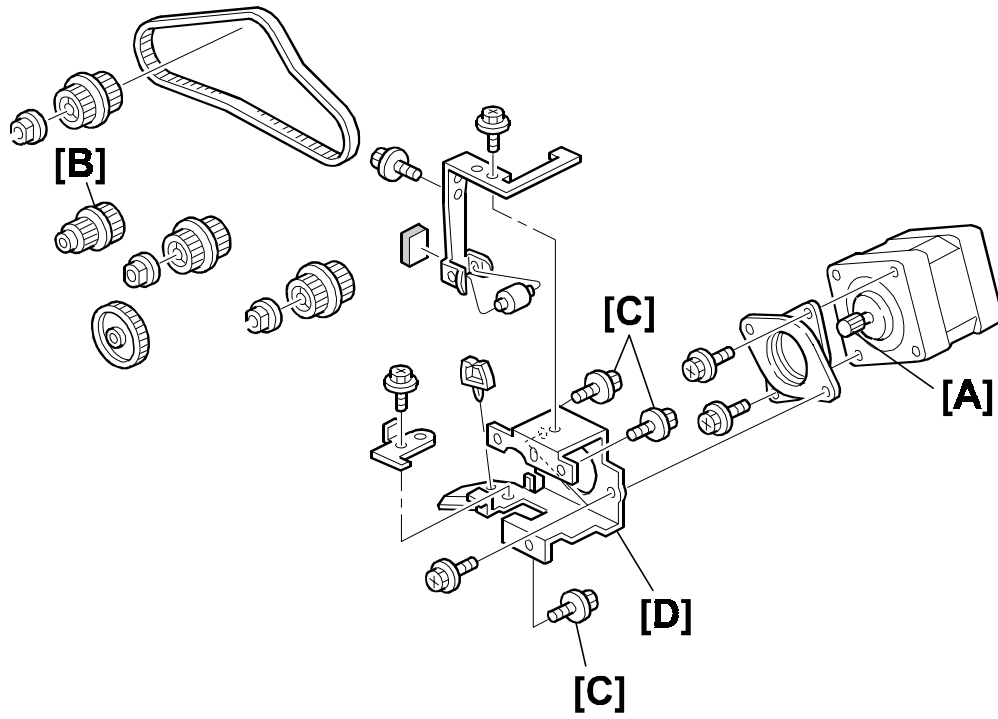
## Action Taken

In the field, please re-tighten the 3 screws [C] (see the next page) that secure the ADF motor bracket [D] to the ADF unit. This will ensure that the 2 gear shafts are parallel.

## Countermeasure

We will inform the permanent countermeasure for mass-production as soon as it has been finalized.





Model: Kaiser1		Date: 17-Mar-00	No.: RH306004
Subject: Quick Dial Sheet Peels Off (Partially)		Prepared by: M. Mano	
From: Technical Services Dept., GTS Division			
Classification:	<input type="checkbox"/> Troubleshooting	<input type="checkbox"/> Part information	<input checked="" type="checkbox"/> Action required
	<input type="checkbox"/> Mechanical	<input type="checkbox"/> Electrical	<input type="checkbox"/> Service manual revision
	<input type="checkbox"/> Paper path	<input type="checkbox"/> Transmit/receive	<input type="checkbox"/> Retrofit information
	<input type="checkbox"/> Other (      )		

## Symptom

The quick dial sheet does not stay flush on the operation panel (part of the sheet peels off).

## Cause

The quick dial sheet was attached before the alcohol on the operation panel had dried.

## Action Taken

In the field, please clean the area under the sheet with alcohol and reattach the sheet after the area has completely dried.

## Countermeasure

In the factory, the following changes have been added (effective 12/17/99):

1. Clean the attachment area with alcohol and attach the sheet after the area is completely dry (fixed interval).
2. Improvements in the attachment of the sheet:
  - Before: 2 times with roller
  - After: 2 times with roller and 5 times by hand

Model: Kaiser1		Date: 24-Mar-00	No.: RH306005
Subject: Note for SG3/G4/NICF Installation		Prepared by: M. Mano	
From: Technical Services Dept., GTS Division			
Classification:	<input type="checkbox"/> Troubleshooting	<input type="checkbox"/> Part information	<input checked="" type="checkbox"/> Action required
	<input type="checkbox"/> Mechanical	<input type="checkbox"/> Electrical	<input type="checkbox"/> Service manual revision
	<input type="checkbox"/> Paper path	<input type="checkbox"/> Transmit/receive	<input type="checkbox"/> Retrofit information
	<input type="checkbox"/> Other ( )		

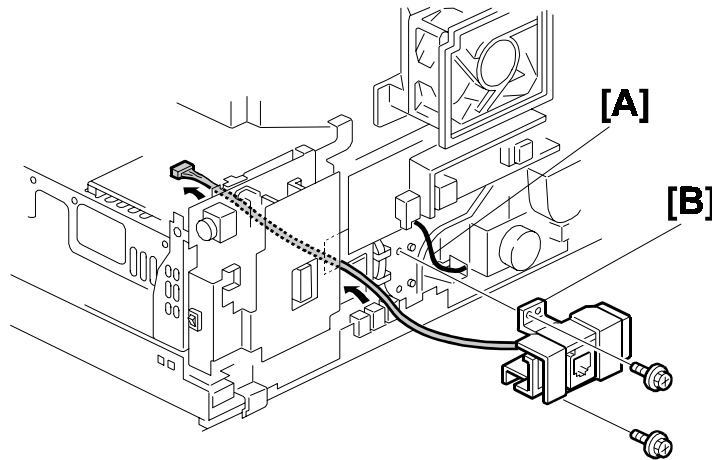
## Symptoms

When the following option(s) are installed, the paper end sensor harness [A] may be pinched between the mainframe and the bracket [B].

- G3 Interface Unit Type 500
- ISDN Interface Unit Type 500
- NIC Fax Kit Type500

If the harness [A] is pinched, a number of symptoms can occur such as:

- Power LED is not lit
- Operation panel is not lit
- Other



## Action

When installing the bracket for the options mentioned above, please make sure that the harness remains to the right of the bracket and does not get pinched.

## Countermeasure

For the N. America model, the routing of the harness has been changed from the beginning of March 2000 production.

- From serial number: **A1400300001~**

For Europe/Asia models, the modification will be applied from the beginning of mass production (April 2000).

Model: Kaiser1		Date: 24-Mar-00	No.: RH306006
Subject: Note for Function Upgrade Card Installation		Prepared by: M. Mano	
From: Technical Services Dept., GTS Division			
Classification:	<input type="checkbox"/> Troubleshooting	<input type="checkbox"/> Part information	<input checked="" type="checkbox"/> Action required
	<input type="checkbox"/> Mechanical	<input type="checkbox"/> Electrical	<input type="checkbox"/> Service manual revision
	<input type="checkbox"/> Paper path	<input type="checkbox"/> Transmit/receive	<input type="checkbox"/> Retrofit information
	<input type="checkbox"/> Other (      )		

## Symptoms

The machine will not function correctly if the Function Upgrade Card had been installed with the battery switch off.

## Cause

If the Function Upgrade Card is installed with the battery switch off and the machine later enters Energy Saver Mode Level 2 (low power standby), some SRAM values may change. If this happens, a number of symptoms may occur including the following:

- SC (Service Call) code: 0-06 (Fusing Unit Failure)
- Memory Transmission becomes inoperative
- Lists and reports cannot be printed out.
- Other

## Action

When these symptoms occur, please do the following:

1. Print out the System Parameter List and all registered user data lists (Quick Dials, Speed Dials, etc.). If lists and reports cannot be printed out, use RDS.
2. Turn the main switch off and remove the Function Upgrade Card.
3. Turn on the Function Upgrade Card battery switch. Place the card back in the machine.
4. Turn the main switch back on and run Reset Level 2 (system switch 00).
5. Input the counter values that are printed on the System Parameter List (or obtained by RDS).

**NOTE:** If the customer has registered a lot of Quick Dials and/or Speed Dials, inputting this data through RDS is much faster than manual input.

Model: Kaiser1		Date: 29-Mar-00	No.: RH306007a
Subject: PFU Installation Manual Correction		Prepared by: M.Mano	
From: Technical Services Dept., GTS Division			
Classification:	<input type="checkbox"/> Troubleshooting	<input type="checkbox"/> Part information	<input type="checkbox"/> Action required
	<input type="checkbox"/> Mechanical	<input type="checkbox"/> Electrical	<input type="checkbox"/> Service manual revision
	<input type="checkbox"/> Paper path	<input type="checkbox"/> Transmit/receive	<input checked="" type="checkbox"/> Retrofit information
	<input type="checkbox"/> Other (     )     )		

A note has been added to step 1 of the PFU installation procedure.

This revision has already been applied to the Service Manual for the Kaiser 1 mainframe, but has not been applied to the Optional PFU Installation Manual (packed together with the PFU). This manual will be revised from **August** 2000 PFU production.

Until the revised version of the Optional PFU Installation Manual is released, please refer to the Kaiser 1 mainframe Service Manual or this Technical Bulletin.

The revision itself is as follows:

**NOTE: Remove the 2 tie-wraps securing the paper feed rollers (located under the red tag).**

■ ***If you do not remove the 2 tie-wraps, the PFU cannot properly feed the paper.***

Please refer to the next page for the revised procedure.



## INSTALLATION MANUAL

### *Paper Feed Unit Type 500*

This option can be installed in the following model: H306

This installation must only be done by qualified service personnel.

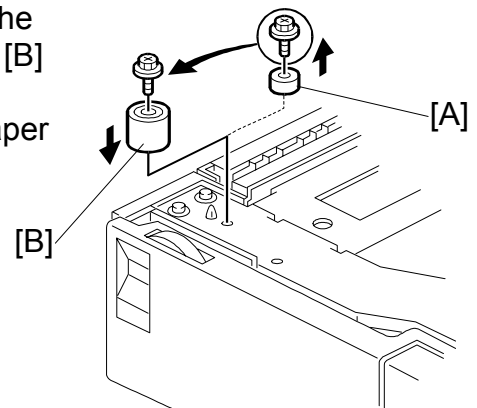
#### **CAUTION**

Before installing an optional unit, do the following:

1. Print out all messages stored in the memory.
2. Print out the lists of user-programmed items and the system parameter list.
3. Turn off the main switch, and disconnect the power plug.

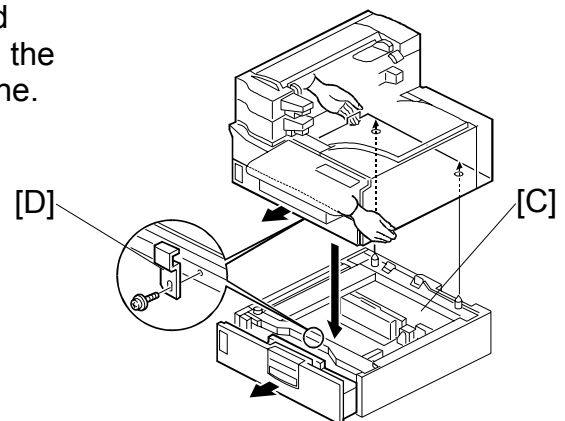
1. When the paper feed unit is installed just under the machine, change the small leg [A] to the big one [B] that is enclosed.

**NOTE:** Remove the 2 tie-wraps securing the paper feed rollers (located under the red tag).



H1101601.WMF

2. Put the machine on the paper feed unit [C] and secure the machine to the paper feed unit with the bracket [D] (1 screw) on the front of the machine.



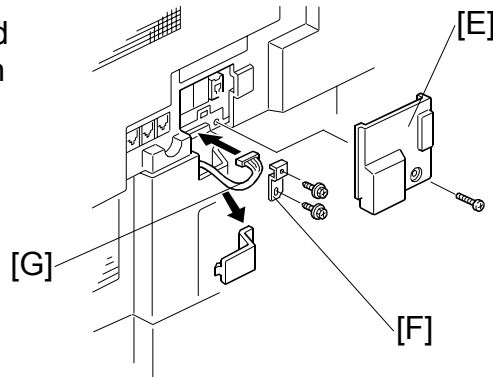
H1101602.WMF

Model: Kaiser1

Date: 29-Mar-00

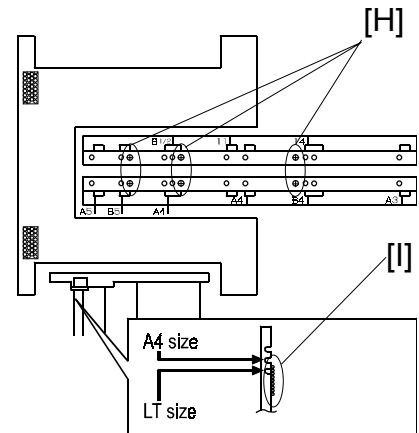
No.: RH306007a

- Remove the connector cover [E] (1 screw) and secure the machine to the paper feed unit with the bracket [F] (2 screws). Then connect the harness [G] to the machine and replace the connector cover.



H110I603.WMF

- When LT or LG size paper will be installed, peel off seals [H] on the tray and the mylar on the side of the side fence [I] as shown.  
**NOTE:** This procedure is for European and Asian models only.



H110I604.WMF

- Plug in the machine and turn on the main power switch.
- Enter the service mode and print the system parameter list, then make sure that "CASSETTE" is listed as an option.
- Add some paper and make a test print using the paper feed unit.

**End of Procedure**

Model: Kaiser1		Date: 07-Apr-00	No.: RH306008
Subject: Firmware for European and Asian models		Prepared by: M. Mano	
From: Technical Services Dept., GTS Division			
Classification:	<input type="checkbox"/> Troubleshooting	<input type="checkbox"/> Part information	<input type="checkbox"/> Action required
	<input type="checkbox"/> Mechanical	<input type="checkbox"/> Electrical	<input type="checkbox"/> Service manual revision
	<input type="checkbox"/> Paper path	<input type="checkbox"/> Transmit/receive	<input checked="" type="checkbox"/> Retrofit information
	<input type="checkbox"/> Other (      )		

RCL will distribute 5 separate firmware versions for European and Asian models.

- The languages that each type supports are as follows:

TYPE	LANGUAGES	FIRMWARE FILE NAME
<b>Asian model</b>		
Asia	English, German, French	H3067245.bin <b>(Default)</b>
<b>European model</b>		
EU1	English, German, French	H3067245.bin <b>(Default)</b>
EU2	English, Italian, Spanish	H3067246.bin
EU3	English, Dutch, French	H3067247.bin
EU4	English, Swedish, Norwegian	H3067248.bin
EU5	English, Portuguese, Spanish	H3067249.bin

- \* **Default:** This version is installed at the factory before being shipped from Japan.
- \* Please note that these file names **do not** correspond to Service Part Numbers.
- \* The default firmware is the same for Asian and European models.

We will be posting the ROM firmware on the QAC Server for the first mass production lot as well as any other time firmware revisions are made.

Please use the QAC Server to download the firmware containing the display languages you require.

The location on the QAC Server is:

**ftp://133.139.157.50/Firmware/fax/Kaiser1/Mainframe/**

Reissued: 26-Apr-00

Model: Kaiser1	Date: 29-Feb-00	No.: RH306001b
----------------	-----------------	----------------

### RTB Correction

The items in bold italics have been corrected or added.

Subject: ROM History (Kaiser1)		Prepared by: M.Mano	
From: Technical Services Dept., GTS Division			
Classification:	<input type="checkbox"/> Troubleshooting	<input type="checkbox"/> Part information	<input type="checkbox"/> Action required
	<input type="checkbox"/> Mechanical	<input type="checkbox"/> Electrical	<input type="checkbox"/> Service manual revision
	<input type="checkbox"/> Paper path	<input type="checkbox"/> Transmit/receive	<input checked="" type="checkbox"/> Retrofit information
	<input type="checkbox"/> Other ( )		

Firmware history for the Kaiser1. (USA Model)

H3067220	File No. (H306Uxxx)	Version	C.SUM	Production
A	023	23	19C6	1st Mass Prod.
B	024	24	31E8	January Prod. '00
C	025	25	BF64	March Prod. '00
<b><i>D</i></b>	<b><i>026</i></b>	<b><i>26</i></b>	<b><i>20DF</i></b>	<b><i>April Prod. '00</i></b>

Symptoms Corrected (for previous corrections, see RTB 1a)	USA
<b><i>When over 20H is input for the incoming signal detection level (RAM address 4809BD), the minimum signal strength decreases. * Maximum value for this address is 1FH.</i></b>	<b><i>D</i></b>
<b><i>Using the transfer function with the optional G3 line: Even if communication switch 0B bit 2 is set to 0 (label Insertion disabled for end-receivers - transfer function), the labels are inserted for Quick/Speed Dial end receivers who have specified Label Insertion ON.</i></b>	<b><i>D</i></b>
<b><i>Even if communication switch 14 bit 5 is set to 1 (A3 reception disabled, B4 max. size), the machine informs the sender that it has A3 capability.</i></b>	<b><i>D</i></b>
<b><i>The following wording errors were corrected: <u>Collate</u> -&gt; <u>Multi-copy Recep.</u> (see: Key Op. Tools -&gt; 2. Initial Set Up -&gt; No.1). <u>Backup</u> -&gt; <u>Receiver</u> (see: Key Op. Tools -&gt; 2. Initial Set Up -&gt; 5. Backup File Tx).</i></b>	<b><i>D</i></b>

**Reissued: 26-Apr-00**

Model: Kaiser1	Date: 29-Feb-00	No.: RH306001b
----------------	-----------------	----------------

H3067220	H306-20/29
B	A1400100001~
C	A1400300001~
<b>D</b>	<b>A1400400001~</b>

Model: Kaiser1		Date: 26-Apr-00	No.: RH306009
Subject: NIC Initial Settings		Prepared by: K. Moriizumi	
From: Technical Services Dept., GTS Division			
Classification:	<input checked="" type="checkbox"/> Troubleshooting	<input type="checkbox"/> Part information	<input type="checkbox"/> Action required
	<input type="checkbox"/> Mechanical	<input type="checkbox"/> Electrical	<input type="checkbox"/> Service manual revision
	<input type="checkbox"/> Paper path	<input type="checkbox"/> Transmit/receive	<input type="checkbox"/> Retrofit information
	<input type="checkbox"/> Other (      )		

**SYMPTOM**

Mail transmission is not possible, always resulting in error 10-85 (*unexpected error response is returned from the server*).

**CAUSE**

The host name is not registered in the machine.

**SOLUTION**

Register the host name.

The host name is listed in the Service Manual as "Voluntary" for NIC Kit Type 500 (section 3.2 Initial Settings). Because the host name must be programmed at initial setting (not optional), please delete "Voluntary" for the host name.

Model: Kaiser1		Date: 08-May-00	No.: RH306010
Subject: CTR21 Requirements		Prepared by: M.Mano	
From: Technical Services Dept., GTS Division			
Classification:	<input type="checkbox"/> Troubleshooting	<input type="checkbox"/> Part information	<input type="checkbox"/> Action required
	<input type="checkbox"/> Mechanical	<input type="checkbox"/> Electrical	<input type="checkbox"/> Service manual revision
	<input type="checkbox"/> Paper path	<input type="checkbox"/> Transmit/receive	<input checked="" type="checkbox"/> Retrofit information
	<input type="checkbox"/> Other ( )		

For European models, the following parameters should not be changed from their default settings in the field.

**REASON:** The default values for these parameters have been approved by CTR21 and/or EG201121. Therefore, a change in any one of these values would constitute a violation of these requirements.

**Bit Switches**

Parameters	Descriptions
Communication switch 10	Memory transmission: Maximum number of dialing attempts to the same destination.
Communication switch 11	Immediate transmission: Maximum number of dialing attempts to the same destination.
Communication switch 12	Memory transmission: Interval between dialing attempts to the same destination.
Communication switch 13	Immediate transmission: Interval between dialing attempts to the same destination.

Model: Kaiser1

Date: 08-May-00

No.: RH306010

### RAM Addresses for Standard G3

Parameters	Descriptions
RAM Address: 480904	PSTN dial tone frequency upper limit (high byte)
RAM Address: 480905	PSTN dial tone frequency upper limit (low byte)
RAM Address: 480906	PSTN dial tone frequency lower limit (high byte)
RAM Address: 480907	PSTN dial tone frequency lower limit (low byte)
RAM Address: 480908	PSTN dial tone detection time
RAM Address: 480909	PSTN dial tone reset time (LOW)
RAM Address: 48090A	PSTN dial tone reset time (HIGH)
RAM Address: 48090B	PSTN dial tone continuous tone time
RAM Address: 48090C	PSTN dial tone permissible drop time
RAM Address: 48090D	PSTN wait interval (LOW)
RAM Address: 48090E	PSTN wait interval (HIGH)
RAM Address: 48094A	Time between opening or closing the DO relay and opening the OHDI relay
RAM Address: 48094B	Break time for pulse dialing
RAM Address: 48094C	Make time for pulse dialing
RAM Address: 48094D	Time between final OHDI relay closure and DO relay opening or closing
RAM Address: 48094E	Minimum pause between dialed digits (pulse dial mode)
RAM Address: 48094F	Time waited when a pause is entered at the operation panel
RAM Address: 480950	DTMF tone on time
RAM Address: 480951	DTMF tone off time
RAM Address: 480952	Tone attenuation level of DTMF signals while dialing
RAM Address: 480953	Tone attenuation value difference between high frequency tone and low frequency tone in DTMF signals
RAM Address: 480972	Acceptable ringing signal frequency: range1, upper limit
RAM Address: 480973	Acceptable ringing signal frequency: range1, lower limit
RAM Address: 480974	Acceptable ringing signal frequency: range2, upper limit
RAM Address: 480975	Acceptable ringing signal frequency: range2, lower limit
RAM Address: 480976	Number of rings until a call is detected
RAM Address: 480977	Minimum required length of the first ring
RAM Address: 480978	Minimum required length of the second and subsequent rings
RAM Address: 480979	Ringing signal detection reset time (LOW)
RAM Address: 48097A	Ringing signal detection reset time (HIGH)
RAM Address: 4809B4	PSTN: Tx level from the modem
RAM Address: 4809DA	T.30 T1 timer



Model: Kaiser1

Date: 08-May-00

No.: RH306010

### RAM Addresses for Optional G3

Parameters	Descriptions
RAM Address: 480A04	PSTN dial tone frequency upper limit (high byte)
RAM Address: 480A05	PSTN dial tone frequency upper limit (low byte)
RAM Address: 480A06	PSTN dial tone frequency lower limit (high byte)
RAM Address: 480A07	PSTN dial tone frequency lower limit (low byte)
RAM Address: 480A08	PSTN dial tone detection time
RAM Address: 480A09	PSTN dial tone reset time (LOW)
RAM Address: 480A0A	PSTN dial tone reset time (HIGH)
RAM Address: 480A0B	PSTN dial tone continuous tone time
RAM Address: 480A0C	PSTN dial tone permissible drop time
RAM Address: 480A0D	PSTN wait interval (LOW)
RAM Address: 480A0E	PSTN wait interval (HIGH)
RAM Address: 480A4A	Time between opening or closing the DO relay and opening the OHDI relay
RAM Address: 480A4B	Break time for pulse dialing
RAM Address: 480A4C	Make time for pulse dialing
RAM Address: 480A4D	Time between final OHDI relay closure and DO relay opening or closing
RAM Address: 480A4E	Minimum pause between dialed digits (pulse dial mode)
RAM Address: 480A4F	Time waited when a pause is entered at the operation panel
RAM Address: 480A50	DTMF tone on time
RAM Address: 480A51	DTMF tone off time
RAM Address: 480A52	Tone attenuation level of DTMF signals while dialing
RAM Address: 480A53	Tone attenuation value difference between high frequency tone and low frequency tone in DTMF signals
RAM Address: 480A72	Acceptable ringing signal frequency: range1, upper limit
RAM Address: 480A73	Acceptable ringing signal frequency: range1, lower limit
RAM Address: 480A74	Acceptable ringing signal frequency: range2, upper limit
RAM Address: 480A75	Acceptable ringing signal frequency: range2, lower limit
RAM Address: 480A76	Number of rings until a call is detected
RAM Address: 480A77	Minimum required length of the first ring
RAM Address: 480A78	Minimum required length of the second and subsequent rings
RAM Address: 480A79	Ringing signal detection reset time (LOW)
RAM Address: 480A7A	Ringing signal detection reset time (HIGH)
RAM Address: 480AB4	PSTN: Tx level from the modem
RAM Address: 480ADA	T.30 T1 timer

Model: Kaiser1, Schmidt1/3, FR4/6, FX4/6, FX7, LSO, LFO, LX7		Date: 11-Jul-00	No.: RGenF021
Subject: Modem turn-on level (NCU Parameter)		Prepared by: Y.Okunishi	
From: Technical Services Dept., GTS Division			
Classification:	<input type="checkbox"/> Troubleshooting	<input type="checkbox"/> Part information	<input type="checkbox"/> Action required
	<input type="checkbox"/> Mechanical	<input type="checkbox"/> Electrical	<input type="checkbox"/> Service manual revision
	<input type="checkbox"/> Paper path	<input type="checkbox"/> Transmit/receive	<input type="checkbox"/> Retrofit information
	<input checked="" type="checkbox"/> Other (Technical Information)		

Please note the following points when setting the modem turn-on level:

1) Schmidt 3 Service Manual, pg. 4-49:

The maximum value at the address (NCU Parameter) for the modem turn-on level (incoming signal detection level) is 1F(h).

Of the 8 bits, only the first 5 are used.

Therefore, if the input were 20(h), the 5 bits would be 00000.

2) The level is calculated by the following equations:

Kaiser1, Schmidt1/3:

$$\begin{aligned} \text{Modem carrier on:} &= (-33\text{dB}) - (0.5 \times N) \\ \text{off:} &= (-33\text{dB}) - (0.5 \times N) - (3\text{dB}) \end{aligned}$$

FX4/6, LSO, FX7, LSO, LFO, LX7:

$$\begin{aligned} \text{Modem carrier on:} &= (-37\text{dB}) - (0.5 \times N) \\ \text{off:} &= (-37\text{dB}) - (0.5 \times N) - (3\text{dB}) \end{aligned}$$

FR4/6:

$$\begin{aligned} \text{Modem carrier on:} &= -33\text{dB} (N= 00\text{h}) \\ &= -38\text{dB} (N= 01\text{h} - 0\text{Ah}) \\ &= -43\text{dB} (N= 0\text{Bh} - 14\text{h}) \\ &= -48\text{dB} (N= 15\text{h} - 1\text{Fh}) \\ \text{off:} &= (\text{above value} - 3\text{dB}) \end{aligned}$$

Model: Kaiser		Date: 28-Aug-00	No.: RH306011
Subject: Service Manual Correction		Prepared by: M. Mano	
From: Technical Services Dept., GTS Division			
Classification:	<input type="checkbox"/> Troubleshooting	<input type="checkbox"/> Part information	<input type="checkbox"/> Action required
	<input type="checkbox"/> Mechanical	<input type="checkbox"/> Electrical	<input type="checkbox"/> Service manual revision
	<input type="checkbox"/> Paper path	<input type="checkbox"/> Transmit/receive	<input checked="" type="checkbox"/> Retrofit information
	<input type="checkbox"/> Other (      )		

Please make the following corrections to your service manuals.

■ **P. 2-29**

In the table below, change the following print-start temperatures:

LT (LEF): 180 to **190**

A5 (LEF): 180 to **190**

A4 (LEF): 180 to **190**

	Print-Start		1st Fusing		2nd Fusing		3rd Fusing	
	120V	230V	120V	230V	120V	230V	120V	230V
<b>LT (LEF)</b>	<b>190</b>	195	185	200	175	185	170	170
<b>LT (SEF)</b>	190	190	195	195	180	185	180	175
<b>LG</b>	190	190	195	195	175	185	175	175
<b>DLT</b>	190	195	195	200	185	190	170	180
<b>A5 (LEF)</b>	<b>190</b>	190	185	195	175	175	170	175
<b>A4 (LEF)</b>	<b>190</b>	195	185	200	175	185	170	170
<b>A4 (SEF)</b>	190	190	195	195	175	185	175	175
<b>B4</b>	190	195	195	200	185	190	170	180
<b>A3</b>	190	195	195	200	185	190	170	180
<b>F4</b>	190	190	195	195	175	185	175	175
<b>F</b>	190	190	195	195	175	185	175	175

Model: Kaiser	Date: 28-Aug-00	No.: RH306011
---------------	-----------------	---------------

■ **P. 4-29**

Add the **Hungary Country Code (22)** as follows

<b>System Switch 0F</b>		
<b>No</b>	<b>FUNCTION</b>	<b>COMMENTS</b>
<b>0 to 7</b>	Country code for functional settings (Hex)	This country code determines the factory settings of bit switches and RAM addresses. However, it has no effect on the NCU parameter settings and communication parameter RAM addresses.  Cross-reference NCU country code: Function 08, parameter CC. If you change the NCU country code and exit service mode, the bit switch country code will automatically change to the code for the same country as the new NCU country code. This only happens for the standard NCU country code. Nothing happens if you change the country code for the optional SG3 unit's NCU.  If RAM reset level 1 is done, this bit switch resets as follows. Model for USA: 11 (USA) Model for Europe/Asia: 02 (UK).
	00: France      10: Not used 01: Germany    11: USA 02: UK          12: Asia 03: Italy        13: Not used 04: Austria     14: Hong Kong 05: Belgium    15: South Africa 06: Denmark    16: Australia 07: Finland     17: New Zealand 08: Ireland     18: Singapore 09: Norway     19: Malaysia 0A: Sweden     20: Turkey 0B: Switz.     21: Greece 0C: Portugal <b>22: Hungary</b> 0D: Holland 0E: Spain 0F: Israel	

■ **P. 4-64**

Add the **Hungary Country Code** as follows:

RAM Address: 480900

**Hungary Country Code: 34 (Decimal) / 22 (Hex)**

■ **P. 4-72**

Modem turn-on level (incoming signal detection level)  
 Standard NCU (Conexant)

Incorrect:

Turn on level: -37-0.5N (dBm)

**Correct:**

**Turn on level: -33-0.5 N (dBm)**

Reissued: 31-Aug-00

Model: Kaiser1	Date: 28-Aug-00	No.: RH306012a
----------------	-----------------	----------------

**RTB Correction**

The items in bold italics have been corrected or added.

Subject: V34 ROM History (Kaiser1 SG3 Option)		Prepared by: M. Mano	
From: Technical Services Dept., GTS Division			
Classification:	<input type="checkbox"/> Troubleshooting	<input type="checkbox"/> Part information	<input type="checkbox"/> Action required
	<input type="checkbox"/> Mechanical	<input type="checkbox"/> Electrical	<input type="checkbox"/> Service manual revision
	<input type="checkbox"/> Paper path	<input type="checkbox"/> Transmit/receive	<input checked="" type="checkbox"/> Retrofit information
	<input type="checkbox"/> Other (      )		

Firmware history for the Kaiser1 SG3-V34 option

H3067210	Version	C.SUM	Production
B	14	615D	1st Mass Prod.
C	18	719C	March Prod. '00

Symptom Corrected	Version
The PTT approval for Hungary has been passed. The following country code will be added for Hangary: 22H (34)	C
When a value greater than 20H is input for the incoming signal detection level (RAM address <b>480ABD</b> ), the minimum signal strength decreases. * The maximum value for this address is 1FH.	C

Reissued: 27-Sep-00

Model: Kaiser1	Date: 29-Feb-00	No.: RH306001c
----------------	-----------------	----------------

### RTB Correction

The items in bold italics have been corrected or added.

Subject: ROM History (Kaiser1)		Prepared by: M. Mano	
From: Technical Services Dept., GTS Division			
Classification:	<input type="checkbox"/> Troubleshooting	<input type="checkbox"/> Part information	<input type="checkbox"/> Action required
	<input type="checkbox"/> Mechanical	<input type="checkbox"/> Electrical	<input type="checkbox"/> Service manual revision
	<input type="checkbox"/> Paper path	<input type="checkbox"/> Transmit/receive	<input checked="" type="checkbox"/> Retrofit information
	<input type="checkbox"/> Other ( )		

Firmware history for the Kaiser1.

USA model

H3067220	File No. (H306Uxxx)	Version	C.SUM	Production
A	023	23	19C6	1st Mass Prod.
B	024	24	31E8	January Prod. '00
C	025	25	BF64	March Prod. '00
D	026	26	20DF	April Prod. '00
E	<b>031</b>	<b>31</b>	<b>335C</b>	<b>September Prod. '00</b>

European/Asian Model

H3067245	File No. (H306E1xx)	Version	C.SUM	Production
	23	23	5121	1st Mass Prod.
A	<b>26</b>	<b>26</b>	<b>A25E</b>	<b>September Prod. '00</b>

European 2nd Language

H3067246	File No. (H306E2xx)	Version	C.SUM
	23	23	EBD0
A	<b>26</b>	<b>26</b>	<b>0434</b>

European 3rd Language

H3067247	File No. (H306E3xx)	Version	C.SUM
	23	23	0984
A	<b>26</b>	<b>26</b>	<b>054C</b>

European 4th Language

H3067248	File No. (H306E4xx)	Version	C.SUM
	23	23	6D34
A	<b>26</b>	<b>26</b>	<b>4CCF</b>

European 5th Language

H3067249	File No. (H306E5xx)	Version	C.SUM
	23	23	01A5
A	<b>26</b>	<b>26</b>	<b>3843</b>

Reissued: 27-Sep-00

Model: Kaiser1	Date: 29-Feb-00	No.: RH306001c
----------------	-----------------	----------------

Symptom Corrected (new ones only – for previous corrections, see earlier RTBs)	USA	EU1/Asia	EU2	EU3	EU4	EU5
<i>When the use of the PSTN-2 line is changed to Rx only, the PSTN-2 settings cannot be changed.</i>	E	A	A	A	A	A
<i>Display Language Error: Inside User Tools -&gt; Key Op. Tools -&gt; System Settings -&gt; G3 Digital Line, "Eing. Eig. Faxnr." (German) is displayed, even though the display language has been set to French.</i>	E	A	A	A	A	A
<i>TSI data is printed above the TTI data under the following conditions: - TSI printing enabled - Image Rotation enabled - TTI set to be printed outside the image area</i>	E	A	A	A	A	A
<i>Specification change: The firmware has been changed so that error messages received from the server are transferred to the set destination.</i>	E	A	A	A	A	A
<i>Group Dial Display Error: The number of members in a given group is displayed as "1", even though there are multiple destinations registered. After Add is pressed to register a new number, the display is normal.</i>	E	A	A	A	A	A
<i>If error 10-15 (cannot store return address) occurs while the machine is downloading mail from the server, messages successfully received cannot be printed.</i>	E	A	A	A	A	A
<i>To conform to the requirements for e-Cabinet, the subject field of back-up mail transmissions will now include the receiver's information.</i>	E	A	A	A	A	A

**Reissued: 27-Sep-00**

Model: Kaiser1	Date: 29-Feb-00	No.: RH306001c
----------------	-----------------	----------------

H3067220	H306-20/23/29
B	A1400100001~
C	A1400300001~
D	A1400400001~
<b>E</b>	<b>TBA</b>

H3067245	H306-30/40/51/59/60
<b>A</b>	<b>TBA</b>



Reissued: 05-Mar-01

Model: Kaiser1	Date: 29-Feb-00	No.: RH306001d
----------------	-----------------	----------------

### RTB Correction

The items in bold italics have been corrected or added.

Subject: ROM History (Kaiser1)		Prepared by: M. Mano	
From: Technical Services Dept., GTS Division			
Classification:	<input type="checkbox"/> Troubleshooting	<input type="checkbox"/> Part information	<input type="checkbox"/> Action required
	<input type="checkbox"/> Mechanical	<input type="checkbox"/> Electrical	<input type="checkbox"/> Service manual revision
	<input type="checkbox"/> Paper path	<input type="checkbox"/> Transmit/receive	<input checked="" type="checkbox"/> Retrofit information
	<input type="checkbox"/> Other ( )		

Firmware history for the Kaiser1.

USA model

H3067220	File No. (H306Uxxx)	Version	C.SUM	Production
A	023	23	19C6	1st Mass Prod.
B	024	24	31E8	January Prod. '00
C	025	25	BF64	March Prod. '00
D	026	26	20DF	April Prod. '00
E	031	31	335C	September Prod. '00
<b>F</b>	<b>032</b>	<b>32</b>	<b>4E9E</b>	<b>March Prod. '01</b>

European/Asian Model

H3067245	File No. (H306E1xx)	Version	C.SUM	Production
	23	23	5121	1st Mass Prod.
A	26	26	A25E	September Prod. '00
<b>B</b>	<b>27</b>	<b>27</b>	<b>6EC9</b>	<b>March Prod. '01</b>

European 2nd Language

H3067246	File No. (H306E2xx)	Version	C.SUM
	23	23	EBD0
A	26	26	0434
<b>B</b>	<b>27</b>	<b>27</b>	<b>D2E1</b>

European 3rd Language

H3067247	File No. (H306E3xx)	Version	C.SUM
	23	23	0984
A	26	26	054C
<b>B</b>	<b>27</b>	<b>27</b>	<b>C9C4</b>

European 4th Language

H3067248	File No. (H306E4xx)	Version	C.SUM
	23	23	6D34
A	26	26	4CCF
<b>B</b>	<b>27</b>	<b>27</b>	<b>1A78</b>

Reissued: 05-Mar-01

Model: Kaiser1	Date: 29-Feb-00	No.: RH306001d
----------------	-----------------	----------------

European 5th Language

H3067249	File No. (H306E5xx)	Version	C.SUM
	23	23	01A5
A	26	26	3843
B	27	27	1E2A

Symptom Corrected	USA	EU1/Asia	EU2	EU3	EU4	EU5
<i>When the 40MB memory option is installed and the main power is turned off and on, all transmission and reception data stored in the memory card is erased and the power failure report is printed out.</i>	F	B	B	B	B	B
<i>After a 40MB memory option is installed, the memory capacity remains at 100% until over 200MB worth of document data is scanned in.</i>	F	B	B	B	B	B

H3067220	H306-20/23/29
B	A1400100001~
C	A1400300001~
D	A1400400001~
E	A1400900001~
F	A1410300101~

H3067245	H306-30/40/51/59/60
A	A1400900431~
B	A1410300001~

**NOTE:** *When you upgrade the main firmware the following versions, please see the RTB No. RH306013 for the detailed.*

**USA** : H3067220F Ver. 32  
**EU1 / Asia** : H3067245B Ver. 27  
**EU2** : H3067246B Ver. 27  
**EU3** : H3067247B Ver. 27  
**EU4** : H3067248B Ver. 27  
**EU5** : H3067249B Ver. 27

Model: Kaiser1		Date: 05-Mar-01	No.: RH306013
Subject: 40MB optional memory problem		Prepared by: M. Mano	
From: Technical Services Dept., GTS Division			
Classification:	<input checked="" type="checkbox"/> Troubleshooting	<input type="checkbox"/> Part information	<input type="checkbox"/> Action required
	<input type="checkbox"/> Mechanical	<input type="checkbox"/> Electrical	<input type="checkbox"/> Service manual revision
	<input type="checkbox"/> Paper path	<input type="checkbox"/> Transmit/receive	<input type="checkbox"/> Retrofit information
	<input type="checkbox"/> Other (        )		

### Symptoms

1. When the 40MB memory option is installed and the main power is turned off and on, all transmission and reception data in the memory card is erased and the power failure report is printed out.
2. After the 40MB memory option is installed, the memory capacity remains at 100% until over 200MB worth of document data is scanned in.

### Cause

1. The 40MB memory manufacturer had changed their manufacturer code from Sun Disk to San Disk. The machine uses the manufacturer code stored in the 40MB memory to detect the option, and since the manufacturer code had been changed it initialized the 40MB memory each time.
2. The machine always detects that there are 200KB of unusable memory, regardless of whether or not this is the case. In addition, although the machine subtracts this 200KB from the total usable memory, it does not subtract it from the amount of available memory. Therefore it begins with a calculation of:  $40\text{MB} / (40\text{MB} - 200\text{KB})$ , which is why the display remains at 100% until over 200MB are used.

### Action

Main firmware upgrade to the versions listed below or newer.

1. For customers who already have the 40MB memory option installed, please use RDS to check whether or not the card contains the altered manufacturer code and visit the customer site for the upgrade when necessary.

Method for checking:

- The upgrade is needed if main RAM address 920F32 is **61(a)**. These cards contain the new code ("SanDisk").
- There is **no need** to perform the upgrade if this address is 75(u). These cards contain the old code ("SunDisk").

2. For customers newly purchasing the memory option, please perform the firmware upgrade when the memory is installed.

Model: Kaiser1

Date: 05-Mar-01

No.: RH306013

Upgraded main firmware versions:

<b>For USA</b>	<b>: H3067220F</b>	<b>Ver.32</b>
<b>For EU1 and Asia</b>	<b>: H3067245B</b>	<b>Ver.27</b>
<b>For EU1</b>	<b>: H3067246B</b>	<b>Ver.27</b>
<b>For EU1</b>	<b>: H3067247B</b>	<b>Ver.27</b>
<b>For EU1</b>	<b>: H3067248B</b>	<b>Ver.27</b>
<b>For EU1</b>	<b>: H3067249B</b>	<b>Ver.27</b>

**■ Procedure for 40MB memory installation**

1. Make sure the memory capacity is 100%.  
If there are any files in the memory, please print out all of the files.
2. Upgrade the mainframe to the version listed above (or newer).
3. Install the 40MB memory option in the machine (System SW05 bit4=1).
4. Initialize the SAF area with level 3 initialization (System SW00 bit1=1).

**NOTE:** It takes about 10 seconds for the initialization to start after exiting service mode.  
Do not press any keys or turn off the main power.

The modification will be applied from the following mainframe serial number:

**A1410300001 ~**

Related RTB number: RH306001d

Model: Kaiser1		Date: 14-Mar-01	No.: RH306014
Subject: NIC FAX installation problem		Prepared by: M. Mano	
From: Technical Services Dept., GTS Division			
Classification:	<input checked="" type="checkbox"/> Troubleshooting	<input type="checkbox"/> Part information	<input type="checkbox"/> Action required
	<input type="checkbox"/> Mechanical	<input type="checkbox"/> Electrical	<input type="checkbox"/> Service manual revision
	<input type="checkbox"/> Paper path	<input type="checkbox"/> Transmit/receive	<input type="checkbox"/> Retrofit information
	<input type="checkbox"/> Other (      )		

### Symptoms

When installing the NIC FAX application version 2.0u/e or 2.1u/e on a PC with Windows 95, ComRedirector might not work correctly (Windows 95 shows an error message).  
NIC FAX Monitor and IC Viewer function properly.

### Cause

When the NIC FAX application was modified for Windows 2000, it was designed to link with the "Setupapi.dll" file (Windows 2000 contains this file). However since Windows 95 does not contain the file, the error is displayed.

### Action taken

It is necessary to do one of the following to ensure that ComRedirector functions properly.

1. Install the NIC FAX application version 2.2u (USA) or 2.2e (EU).  
We have temporarily posted the files (USA: V22u.exe/EU: V22e.exe) on the QAC server.  
The location on the QAC Server is:  
**ftp://133.139.157.50/Firmware/fax/Kaiser1/Nic/Appli/**
2. Install Internet Explorer 4.0SP2 or 5.5, available on line.  
\* Internet Explorer contains the "Setupapi.dll" file.
3. When the PC-FAX function is not going to be used, please do not select the ComRedirector for *Custom Installation*.

Model: Kaiser1		Date: 27-Apr-01	No.: RH306001e
Subject: ROM History (Kaiser1)		Prepared by: M. Mano	
From: Technical Services Dept., GTS Division			
Classification:	<input type="checkbox"/> Troubleshooting	<input type="checkbox"/> Part information	<input type="checkbox"/> Action required
	<input type="checkbox"/> Mechanical	<input type="checkbox"/> Electrical	<input type="checkbox"/> Service manual revision
	<input type="checkbox"/> Paper path	<input type="checkbox"/> Transmit/receive	<input checked="" type="checkbox"/> Retrofit information
	<input type="checkbox"/> Other (      )		

Firmware history for the Kaiser1.

### USA model

H3067220	File No. (H306Uxxx)	Version	C.SUM	Production
A	023	23	19C6	1st Mass Prod.
B	024	24	31E8	January Prod. '00
C	025	25	BF64	March Prod. '00
D	026	26	20DF	April Prod. '00
E	031	31	335C	September Prod. '00
F	032	32	4E9E	March Prod. '01
<b>G</b>	<b>033</b>	<b>33</b>	<b>834B</b>	<b>April Prod. '01</b>

### European/Asian Model

H3067245	File No. (H306E1xx)	Version	C.SUM	Production
	23	23	5121	1st Mass Prod.
A	26	26	A25E	September Prod. '00
B	27	27	6EC9	March Prod. '01
<b>C</b>	<b>28</b>	<b>28</b>	<b>72B5</b>	<b>April Prod. '01</b>

### European 2nd Language

H3067246	File No. (H306E2xx)	Version	C.SUM
	23	23	EBD0
A	26	26	0434
B	27	27	D2E1
<b>C</b>	<b>28</b>	<b>28</b>	<b>0899</b>

### European 3rd Language

H3067247	File No. (H306E3xx)	Version	C.SUM
	23	23	0984
A	26	26	054C
B	27	27	C9C4
<b>C</b>	<b>28</b>	<b>28</b>	<b>3301</b>

Model: Kaiser1	Date: 27-Apr-01	No.: RH306001e
----------------	-----------------	----------------

European 4th Language

H3067248	File No. (H306E4xx)	Version	C.SUM
	23	23	6D34
A	26	26	4CCF
B	27	27	1A78
C	<b>28</b>	<b>28</b>	<b>1827</b>

European 5th Language

H3067249	File No. (H306E5xx)	Version	C.SUM
	23	23	01A5
A	26	26	3843
B	27	27	1E2A
C	<b>28</b>	<b>28</b>	<b>D820</b>

Symptom Corrected (new changes only – for others, see earlier RTBs))	USA	EU1/Asia	EU2	EU3	EU4	EU5
<b><i>Under the following conditions, the mainframe receives all previously backed-up mails from the POP server when receiving a new mail:</i></b> - User parameter switch 10 (bit 1, bit 0) = (0, 1); (i.e. POP server backs up all incoming mails). - The mainframe is connected to the NIC Fax Monitor in Administrator Mode. - Before receiving the new mail, the mainframe is in Energy Saver Mode or has been turned off and on following NIC Fax connection.	G	C	C	C	C	C
<b><i>Restricted Access Mode is cancelled if the operator enters and exits Fax Setup from the NIC Fax Monitor (Administrator Mode), even if no setting changes are performed.</i></b>	G	C	C	C	C	C
<b><i>Specification change:</i></b> <b><i>When reloading registered data back to the mainframe using the NIC Fax Monitor (e.g. Quick/Speed/Group Dials), it is not necessary to clear the old machine data first; i.e. the data can be directly overwritten.</i></b>	G	C	C	C	C	C
<b><i>Sometimes with V.17 reception mode, the line is disconnected when data reception takes less than 300 ms.</i></b>	G	C	C	C	C	C
<b><i>The machine cannot receive all pages of a mail correctly if the attached file is a multi-page TIFF or DCX file, and the file is under 2 kb/pg.</i></b>	G	C	C	C	C	C

Model: Kaiser1	Date: 27-Apr-01	No.: RH306001e
----------------	-----------------	----------------

H3067220	H306-20/23/29
B	A1400100001~
C	A1400300001~
D	A1400400001~
<b>E</b>	<b>A1400900001~</b>
<b>F</b>	<b>A1410300101~</b>
<b>G</b>	<b>TBA</b>

H3067245	H306-30/40/51/59/60
<b>A</b>	<b>A1400900431~</b>
<b>B</b>	<b>A1410300001~</b>
<b>C</b>	<b>TBA</b>

**NOTE:** *When you upgrade the main firmware with the following versions, please see RTB No. RH306013 for the details.*

**USA** : **H3067220F** **Ver. 32**  
**EU1 / Asia** : **H3067245B** **Ver. 27**  
**EU2** : **H3067246B** **Ver. 27**  
**EU3** : **H3067247B** **Ver. 27**  
**EU4** : **H3067248B** **Ver. 27**  
**EU5** : **H3067249B** **Ver. 27**



Model: Kaiser1		Date: 16-May-01	No.: RH306015
Subject: Service Manual Correction		Prepared by: M. Mano	
From: Technical Services Dept., GTS Division			
Classification:	<input type="checkbox"/> Troubleshooting	<input type="checkbox"/> Part information	<input type="checkbox"/> Action required
	<input type="checkbox"/> Mechanical	<input type="checkbox"/> Electrical	<input type="checkbox"/> Service manual revision
	<input type="checkbox"/> Paper path	<input type="checkbox"/> Transmit/receive	<input checked="" type="checkbox"/> Retrofit information
	<input type="checkbox"/> Other (        )		

Please make the following corrections to your Service Manuals.

## ■ Mainframe Service Manual

Page 1-11

### 1. PCBs

Old No	New No	Name	Description
27	28	Paper End/Near-end Indicator Board	Lights an LED when the paper in the tray has run out.
32	33	LDDR (Laser Diode Driver)	Drives the laser diode.
36	37	FCU (Facsimile Control Unit)	This board is the main control for the machine. It contains the main CPU, flash ROM and system RAM.
37	38	NCU (Network Control Unit) for optional G3 unit.	Contains relays and switches for interfacing the machine with the network and the handset.
38	39	Power Pack	Supplies high voltage to the charge brush roller, transfer roller, and development rollers.
39	40	NCU (Network Control Unit)	Contains relays and switches for interfacing the machine with the network.
40	41	PSU (Power Supply Unit)	Supplies power to the machine and switches the fusing lamp on/off.
41 42	42 43	Printer Interface Unit (Optional)	Allows the machine to be connected to a computer as a laser printer.
43	44	NIB (Network Interface Board) (Optional)	Allows machines containing a printer unit to be connected to a LAN as a network printer.

Page 1-13

### 3. Sensors

Old No	New No	Name	Description
28	29	Paper Tray Side Cover Switch	Detects whether the paper tray side cover is opened or closed.

Model: Kaiser1

Date: 16-May-01

No.: RH306015

**■ ISDN Unit Service Manual**

Page 4-7: Numbering error

Incorrect

LED 1	LED 2	LED 3	LED 4
-------	-------	-------	-------

**Correct**

<b>LED 5</b>	<b>LED 6</b>	<b>LED 7</b>	<b>LED 8</b>
--------------	--------------	--------------	--------------

Model: Kaiser1		Date: 06-Jun-01	No.: RH306016
Subject: Manual Correction (Kaiser1)		Prepared by: M. Mano	
From: Technical Services Dept., GTS Division			
Classification:	<input type="checkbox"/> Troubleshooting	<input type="checkbox"/> Part information	<input type="checkbox"/> Action required
	<input type="checkbox"/> Mechanical	<input type="checkbox"/> Electrical	<input type="checkbox"/> Service manual revision
	<input type="checkbox"/> Paper path	<input type="checkbox"/> Transmit/receive	<input checked="" type="checkbox"/> Retrofit information
	<input type="checkbox"/> Other ( )		

The following are revisions for the Kaiser1 Service Manual (bold and italics).

## Page 5-1 5.2 PM TABLE

### Printer

- Delete Pick-up Roller
- Paper Feed Roller interval: Change from C → R (180K)

Item	30K	60K	120	180K	Notes
Fusing Unit	-	R(user)	R(user)	R(user)	Fusing Maintenance Kit
Transfer Roller	-	R(user)	R(user)	R(user)	Fusing Maintenance Kit
<b><i>Paper Feed Roller</i></b>	-	-	-	<b><i>R(FST)</i></b>	
Idle Roller-Paper Feed		C (user)	C (user)	C (user)	Soft cloth and water
Registration Roller	-	C (user)	C (user)	C (user)	Soft cloth and water

### Paper Feed Unit (Optional)

- Delete Pick-up Roller
- Feed Roller interval: Change from C → R (200K).
- Add the actual Feed Roller removal interval (200K) in the Notes column.

Item	30K	60K	120K	180K	Notes
<b><i>Feed Roller</i></b>	-	-	-	<b><i>R(FST)</i></b>	<b><i>Change at 200K (not 180K)</i></b>
Idle Roller-Paper Feed	-	C (user)	C (user)	C (user)	Soft cloth and water

Model: Kaiser1		Date: 22-Oct-01	No.: RH306001f
Subject: ROM History (Kaiser1)		Prepared by: M. Mano	
From: Technical Services Dept., GTS Division			
Classification:	<input type="checkbox"/> Troubleshooting	<input type="checkbox"/> Part information	<input type="checkbox"/> Action required
	<input type="checkbox"/> Mechanical	<input type="checkbox"/> Electrical	<input type="checkbox"/> Service manual revision
	<input type="checkbox"/> Paper path	<input type="checkbox"/> Transmit/receive	<input checked="" type="checkbox"/> Retrofit information
	<input type="checkbox"/> Other (      )		

Firmware history for the Kaiser 1

N. America model

H3067220	File No. (H306Uxxx)	Version	C.SUM	Production
A	023	23	19C6	1st Mass Prod.
B	024	24	31E8	January Prod. '00
C	025	25	BF64	March Prod. '00
D	026	26	20DF	April Prod. '00
E	031	31	335C	September Prod. '00
F	032	32	4E9E	March Prod. '01
G	033	33	834B	April Prod. '01
<b>H</b>	<b>034</b>	<b>34</b>	<b>C516</b>	<b>September Prod. '01</b>

Europe/Asia Model

H3067245	File No. (H306E1xx)	Version	C.SUM	Production
	23	23	5121	1st Mass Prod.
A	26	26	A25E	September Prod. '00
B	27	27	6EC9	March Prod. '01
C	28	28	72B5	April Prod. '01
<b>D</b>	<b>29</b>	<b>29</b>	<b>131E</b>	<b>September Prod. '01</b>

European 2nd Language

H3067246	File No. (H306E2xx)	Version	C.SUM
	23	23	EBD0
A	26	26	0434
B	27	27	D2E1
C	28	28	0899
<b>D</b>	<b>29</b>	<b>29</b>	<b>07EB</b>

Model: Kaiser1	Date: 22-Oct-01	No.: RH306001f
----------------	-----------------	----------------

European 3rd Language

H3067247	File No. (H306E3xx)	Version	C.SUM
	23	23	0984
A	26	26	054C
B	27	27	C9C4
C	28	28	3301
<b>D</b>	<b>29</b>	<b>29</b>	<b>1C08</b>

European 4th Language

H3067248	File No. (H306E4xx)	Version	C.SUM
	23	23	6D34
A	26	26	4CCF
B	27	27	1A78
C	28	28	1827
<b>D</b>	<b>29</b>	<b>29</b>	<b>6598</b>

European 5th Language

H3067249	File No. (H306E5xx)	Version	C.SUM
	23	23	01A5
A	26	26	3843
B	27	27	1E2A
C	28	28	D820
<b>D</b>	<b>29</b>	<b>29</b>	<b>2379</b>

Symptoms Corrected (new ones only)	USA	EU1/Asia	EU2	EU3	EU4	EU5
<i>When the machine receives a message by e-mail longer than 95 characters, the 95<sup>th</sup> and later characters do not come through.</i>	<i>H</i>	<i>D</i>	<i>D</i>	<i>D</i>	<i>D</i>	<i>D</i>
<i>The Communication Results Report can now be programmed into a User Function Key, allowing the option of printing out the report for selected files only.</i>	<i>H</i>	<i>D</i>	<i>D</i>	<i>D</i>	<i>D</i>	<i>D</i>

Model: Kaiser1	Date: 22-Oct-01	No.: RH306001f
----------------	-----------------	----------------

H3067220	H306-20/23/29
B	A1400100001~
C	A1400300001~
D	A1400400001~
E	A1400900001~
F	A1410300101~
G	TBA
<b>H</b>	<b>TBA</b>

H3067245	H306-30/40/51/59/60
A	A1400900431~
B	A1410300001~
C	TBA
<b>D</b>	<b>TBA</b>

**NOTE:** *Please refer to RTB No. RH306013 when upgrading the main firmware to the following versions.*

**USA** : **H3067220F** Ver. 32  
**EU1 / Asia** : **H3067245B** Ver. 27  
**EU2** : **H3067246B** Ver. 27  
**EU3** : **H3067247B** Ver. 27  
**EU4** : **H3067248B** Ver. 27  
**EU5** : **H3067249B** Ver. 27

Model: Kaiser1		Date: 18-Feb-02	No.: RH306017
Subject: Firmware modification history (Kaiser1 NIC option)		Prepared by: K. Moriizumi	
From: Technical Service Dept., GTS Division			
Classification:	<input type="checkbox"/> Troubleshooting	<input type="checkbox"/> Part information	<input type="checkbox"/> Action required
	<input type="checkbox"/> Mechanical	<input type="checkbox"/> Electrical	<input type="checkbox"/> Service manual revision
	<input type="checkbox"/> Paper path	<input type="checkbox"/> Transmit/receive	<input checked="" type="checkbox"/> Retrofit information
	<input type="checkbox"/> Other (      )		

Firmware history for the Kaiser1.

	Version	C.SUM	Effective Date
H3067230E2	1.3.9	46F3	1st mass production
H3067230F	1.4.1	DC52	May 2001 prod.

Version	Title	Symptom Corrected
1.3.9		1st mass production
1.4.1	Connecting with eCabinet enabled	If an email subject contains any Japanese characters, the e-mail cannot be transferred to an eCabinet.
	IP address setting	Software modified so that IP addresses containing 2-digit segments (e.g. 133.139.157.32) can also be input as 3-digit segments (e.g. 133.139.157.032).
	Attached file name to email	The file-naming format for attached files scanned by the machine has been changed as follows:  FAX20YYMMhhmm.TIF  YY: last 2 digits of the year MM: month hh: hour mm: minute

Reissued: 21-Feb-02

Model: Kaiser1	Date: 19-Feb-02	No.: RH306018a
----------------	-----------------	----------------

### RTB Correction

The items in bold italics have been corrected or added.

Subject: Kaiser1 Taiwan model		Prepared by: M.Mano	
From: Technical Services Dept., GTS Division			
Classification:	<input type="checkbox"/> Troubleshooting	<input type="checkbox"/> Part information	<input type="checkbox"/> Action required
	<input type="checkbox"/> Mechanical	<input type="checkbox"/> Electrical	<input type="checkbox"/> Service manual revision
	<input type="checkbox"/> Paper path	<input type="checkbox"/> Transmit/receive	<input checked="" type="checkbox"/> Retrofit information
	<input type="checkbox"/> Other (      )		

This RTB has been issued to announce the following differences between the Asia and Taiwan models of the Kaiser1, as the mass production of the Taiwan model began in the middle of April 2001.

For more details on other unique parts of the Taiwan model, please see the Service Launching Guide and Parts Catalog (NPLI for additional reference).

Item	Asia model	<i>Taiwan model</i>	Note
Power Source	220 - 240Vac ± 15%	<b>115Vac ± 20V</b>	
Operation Panel	English	<b>Taiwanese</b>	
Options			
2 MB Memory	√	√	
4 MB Memory	√	√	
40 MB Memory	√	√	
Function Upgrade	√	√	
Paper Feed Unit	√	√	
G4 Unit	√	√	
SG3 Unit	√	√	
Printer Unit	√	<b>(N/A)</b>	
Printer NIC	√	<b>(N/A)</b>	
Printer Memory	√	<b>(N/A)</b>	
PCFE	√	<b>(N/A)</b>	
Counter	√	√	
LAN Unit	√	√	
JBIG	√	√	
FOD	√	√	



Reissued: 21-Feb-02

Model: Kaiser1	Date: 29-Feb-00	No.: RH306001g
----------------	-----------------	----------------

**RTB Correction**

The items in bold italics have been corrected or added.

Subject: ROM History (Kaiser1)		Prepared by: M.Mano	
From: Technical Services Dept., GTS Division			
Classification:	<input type="checkbox"/> Troubleshooting	<input type="checkbox"/> Part information	<input type="checkbox"/> Action required
	<input type="checkbox"/> Mechanical	<input type="checkbox"/> Electrical	<input type="checkbox"/> Service manual revision
	<input type="checkbox"/> Paper path	<input type="checkbox"/> Transmit/receive	<input checked="" type="checkbox"/> Retrofit information
	<input type="checkbox"/> Other ( )		

Firmware history for the Kaiser1.

For N.A. models

H3067220	File No. (H306Uxxx)	Version	C.SUM	Production
A	023	23	19C6	1st Mass Prod.
B	024	24	31E8	January Prod. '00
C	025	25	BF64	March Prod. '00
D	026	26	20DF	April Prod. '00
E	031	31	335C	September Prod. '00
F	032	32	4E9E	March Prod. '01
G	033	33	834B	April Prod. '01
H	034	34	C516	September Prod. '01

For Europe/Asia Models

H3067245	File No. (H306E1xx)	Version	C.SUM	Production
	23	23	5121	1st Mass Prod.
A	26	26	A25E	September Prod. '00
B	27	27	6EC9	March Prod. '01
C	28	28	72B5	April Prod. '01
D	29	29	131E	September Prod. '01
<b><i>E</i></b>	<b><i>30</i></b>	<b><i>30</i></b>	<b><i>DDE5</i></b>	<b><i>December Prod. '01</i></b>

For European 2nd Language

H3067246	File No. (H306E2xx)	Version	C.SUM
	23	23	EBD0
A	26	26	0434
B	27	27	D2E1
C	28	28	0899
D	29	29	07EB
<b><i>E</i></b>	<b><i>30</i></b>	<b><i>30</i></b>	<b><i>D2B2</i></b>

Reissued: 21-Feb-02

Model: Kaiser1	Date: 29-Feb-00	No.: RH306001g
----------------	-----------------	----------------

For European 3rd Language

H3067247	File No. (H306E3xx)	Version	C.SUM
	23	23	0984
A	26	26	054C
B	27	27	C9C4
C	28	28	3301
D	29	29	1C08
<b>E</b>	<b>30</b>	<b>30</b>	<b>E6CF</b>

For European 4th Language

H3067248	File No. (H306E4xx)	Version	C.SUM
	23	23	6D34
A	26	26	4CCF
B	27	27	1A78
C	28	28	1827
D	29	29	6598
<b>E</b>	<b>30</b>	<b>30</b>	<b>305F</b>

For European 5th Language

H3067249	File No. (H306E5xx)	Version	C.SUM
	23	23	01A5
A	26	26	3843
B	27	27	1E2A
C	28	28	D820
D	29	29	2379
<b>E</b>	<b>30</b>	<b>30</b>	<b>EE40</b>

Symptom Corrected	USA	EU1/Asia	EU2	EU3	EU4	EU5
<b>Heat Offset on A3/DLT paper may occur (refer to RTB # RH306019).</b>	-	<b>E</b>	<b>E</b>	<b>E</b>	<b>E</b>	<b>E</b>

**Reissued: 21-Feb-02**

Model: Kaiser1	Date: 29-Feb-00	No.: RH306001g
----------------	-----------------	----------------

H3067220	H306-20/23/29
B	A1400100001~
C	A1400300001~
D	A1400400001~
E	A1400900001~
F	A1410300101~
G	TBA
H	TBA

H3067245	H306-30/40/51/59/60
A	A1400900431~
B	A1410300001~
C	TBA
D	TBA
E	TBA

**NOTE:** *Please refer to RTB No. RH306013 when upgrading the main firmware to the following versions.*

**USA** : **H3067220F** **Ver. 32**  
**EU1 / Asia** : **H3067245B** **Ver. 27**  
**EU2** : **H3067246B** **Ver. 27**  
**EU3** : **H3067247B** **Ver. 27**  
**EU4** : **H3067248B** **Ver. 27**  
**EU5** : **H3067249B** **Ver. 27**

**Reissued: 28-Nov-02**

Model: Kaiser1	Date: 21-Feb-02	No.: RH306019a
----------------	-----------------	----------------

**RTB Correction**

The items in bold italics have been corrected or added.

Subject: Hot Offset (Kaiser1)		Prepared by: M.Mano	
From: Technical Services sec. Service Planning Dept.			
Classification:	<input checked="" type="checkbox"/> Troubleshooting	<input type="checkbox"/> Part information	<input type="checkbox"/> Action required
	<input type="checkbox"/> Mechanical	<input type="checkbox"/> Electrical	<input type="checkbox"/> Service manual revision
	<input type="checkbox"/> Paper path	<input type="checkbox"/> Transmit/receive	<input type="checkbox"/> Retrofit information
	<input type="checkbox"/> Other ( )		

**Symptom**

As a result of a recent modification made to the Fusing Unit by the manufacturer, a thermistor misdetection may sometimes occur, causing hot offset on A3/DLT paper. Also, the wrong combination of firmware and Fusing Unit (see below) can cause poor fusing. This applies to the European and Asian models only.

**Cause**

The new position of the thermistor inside the ***modified*** unit caused the hot roller temperature to be detected incorrectly (slightly low).

**Action**

***To enable the machine to compensate for the error caused by the incorrect thermistor position, perform the following 3 steps on machines containing the modified Fusing Units when A3/DLT hot offset is reported:***

- ***If not already installed, update to firmware version 30.***
- ***Change Printer SW01 bit 1 → "1".***
- ***Change the SRAM addresses to the "For Ver. 30" values listed below.***

***This action inputs the new temperature table data ("For Ver. 30" below) into the SRAM and instructs the machine to use these values with the new Fusing Units (i.e. updating to version 30 alone will not do this).***

***Note: Machines in production are fitted with version 30 from Dec 2001.***

**Reissued: 28-Nov-02**

Model: Kaiser1	Date: 21-Feb-02	No.: RH306019a
----------------	-----------------	----------------

Address	For Ver. 30	For Older Versions	Notes
480E45	8C	93	Print start temperature for B5 LEF
480E46	8C	93	Print start temperature for A4 LEF
480E47	8C	93	Print start temperature for LT LEF
480E4E	8C	93	Print start temperature for B4 SEF
480E4F	8C	93	Print start temperature for A3 SEF
480E50	8C	93	Print start temperature for DLT SEF
480E54	8C	93	Print start temperature for manual feed
480E56	93	9A	1 <sup>st</sup> fusing temperature for B5 LEF
480E57	93	9A	1 <sup>st</sup> fusing temperature for A4 LEF
480E58	93	9A	1 <sup>st</sup> fusing temperature for LT LEF
480E5F	93	9A	1 <sup>st</sup> fusing temperature for B4 SEF
480E60	93	9A	1 <sup>st</sup> fusing temperature for A3SEF
480E61	93	9A	1 <sup>st</sup> fusing temperature for DLT SEF
480E65	93	9A	1 <sup>st</sup> fusing temperature for manual feed

**Note:**

Printer SW01 bit1: Fusing Temperature Table Selection (not mentioned in the Service Manual).

bit1 = 0: ROM

bit1 = 1: SRAM

Reissued: 4-Mar-02

Model: Kaiser1	Date: 29-Feb-00	No.: RH306001h
----------------	-----------------	----------------

**RTB Correction**

The items in ***bold italics*** have been corrected or added.

Subject: ROM History (Kaiser1)		Prepared by: M.Mano	
From: Technical Services Dept., GTS Division			
Classification:	<input type="checkbox"/> Troubleshooting	<input type="checkbox"/> Part information	<input type="checkbox"/> Action required
	<input type="checkbox"/> Mechanical	<input type="checkbox"/> Electrical	<input type="checkbox"/> Service manual revision
	<input type="checkbox"/> Paper path	<input type="checkbox"/> Transmit/receive	<input checked="" type="checkbox"/> Retrofit information
	<input type="checkbox"/> Other ( )		

Firmware history for the Kaiser1.

N.A. model

H3067220	File No. (H306Uxxx)	Version	C.SUM	Production
A	023	23	19C6	1st Mass Prod.
B	024	24	31E8	January Prod. '00
C	025	25	BF64	March Prod. '00
D	026	26	20DF	April Prod. '00
E	031	31	335C	September Prod. '00
F	032	32	4E9E	March Prod. '01
G	033	33	834B	April Prod. '01
H	034	34	C516	September Prod. '01
<b><i>H</i></b>	<b><i>035</i></b>	<b><i>35</i></b>	<b><i>6AE4</i></b>	<b><i>February Prod. '02</i></b>

***NOTE: H3067220H, version35 is a customized version only for Transamerica.***

Europe/Asia Model

H3067245	File No. (H306E1xx)	Version	C.SUM	Production
	23	23	5121	1st Mass Prod.
A	26	26	A25E	September Prod. '00
B	27	27	6EC9	March Prod. '01
C	28	28	72B5	April Prod. '01
D	29	29	131E	September Prod. '01
E	30	30	DDE5	December Prod. '01

European 2nd Language

H3067246	File No. (H306E2xx)	Version	C.SUM
	23	23	EBD0
A	26	26	0434
B	27	27	D2E1
C	28	28	0899
D	29	29	07EB
E	30	30	D2B2

**Reissued: 4-Mar-02**

Model: Kaiser1	Date: 29-Feb-00	No.: RH306001h
----------------	-----------------	----------------

## European 3rd Language

H3067247	File No. (H306E3xx)	Version	C.SUM
	23	23	0984
A	26	26	054C
B	27	27	C9C4
C	28	28	3301
D	29	29	1C08
E	30	30	E6CF

## European 4th Language

H3067248	File No. (H306E4xx)	Version	C.SUM
	23	23	6D34
A	26	26	4CCF
B	27	27	1A78
C	28	28	1827
D	29	29	6598
E	30	30	305F

## European 5th Language

H3067249	File No. (H306E5xx)	Version	C.SUM
	23	23	01A5
A	26	26	3843
B	27	27	1E2A
C	28	28	D820
D	29	29	2379
E	30	30	EE40

Reissued: 4-Mar-02

Model: Kaiser1	Date: 29-Feb-00	No.: RH306001h
----------------	-----------------	----------------

Symptom Corrected	USA	EU1/Asia	EU2	EU3	EU4	EU5
<b>Customized firmware released for Transamerica.</b>	<b>H</b>	-	-	-	-	-

H3067220	H306-20/23/29
B	A1400100001~
C	A1400300001~
D	A1400400001~
E	A1400900001~
F	A1410300101~
G	TBA
H	TBA

H3067245	H306-30/40/51/59/60
A	A1400900431~
B	A1410300001~
C	TBA
D	TBA
<b>E</b>	<b>TBA</b>



**NOTE:** Please refer to RTB No. RH306013 whenever upgrading the main firmware from the following versions:

- USA** : **H3067220F** Ver. 31 or older
- EU1 / Asia** : **H3067245B** Ver. 26 or older
- EU2** : **H3067246B** Ver. 26 or older
- EU3** : **H3067247B** Ver. 26 or older
- EU4** : **H3067248B** Ver. 26 or older
- EU5** : **H3067249B** Ver. 26 or older



Reissued: 7-Mar-02

Model: Kaiser1	Date: 29-Feb-00	No.: RH306001i
----------------	-----------------	----------------

**RTB Correction**

The items in ***bold italics*** have been corrected or added.

Subject: ROM History (Kaiser1)		Prepared by: M.Mano	
From: Technical Services Dept., GTS Division			
Classification:	<input type="checkbox"/> Troubleshooting	<input type="checkbox"/> Part information	<input type="checkbox"/> Action required
	<input type="checkbox"/> Mechanical	<input type="checkbox"/> Electrical	<input type="checkbox"/> Service manual revision
	<input type="checkbox"/> Paper path	<input type="checkbox"/> Transmit/receive	<input checked="" type="checkbox"/> Retrofit information
	<input type="checkbox"/> Other ( )		

Firmware history for the Kaiser1.

N.A. model

H3067220	File No. (H306Uxxx)	Version	C.SUM	Production
A	023	23	19C6	1st Mass Prod.
B	024	24	31E8	January Prod. '00
C	025	25	BF64	March Prod. '00
D	026	26	20DF	April Prod. '00
E	031	31	335C	September Prod. '00
F	032	32	4E9E	March Prod. '01
G	033	33	834B	April Prod. '01
H	034	34	C516	September Prod. '01
H	035	35	6AE4	February Prod. '02

NOTE: H3067220H, version35 is a customized version only for Transamerica.

Europe/Asia Model

H3067245	File No. (H306E1xx)	Version	C.SUM	Production
	23	23	5121	1st Mass Prod.
A	26	26	A25E	September Prod. '00
B	27	27	6EC9	March Prod. '01
C	28	28	72B5	April Prod. '01
D	29	29	131E	September Prod. '01
E	30	30	DDE5	December Prod. '01

European 2nd Language

H3067246	File No. (H306E2xx)	Version	C.SUM
	23	23	EBD0
A	26	26	0434
B	27	27	D2E1
C	28	28	0899
D	29	29	07EB
E	30	30	D2B2

**Reissued: 7-Mar-02**

Model: Kaiser1	Date: 29-Feb-00	No.: RH306001i
----------------	-----------------	----------------

## European 3rd Language

H3067247	File No. (H306E3xx)	Version	C.SUM
	23	23	0984
A	26	26	054C
B	27	27	C9C4
C	28	28	3301
D	29	29	1C08
E	30	30	E6CF

## European 4th Language

H3067248	File No. (H306E4xx)	Version	C.SUM
	23	23	6D34
A	26	26	4CCF
B	27	27	1A78
C	28	28	1827
D	29	29	6598
E	30	30	305F

## European 5th Language

H3067249	File No. (H306E5xx)	Version	C.SUM
	23	23	01A5
A	26	26	3843
B	27	27	1E2A
C	28	28	D820
D	29	29	2379
E	30	30	EE40

**Reissued: 7-Mar-02**

Model: Kaiser1	Date: 29-Feb-00	No.: RH306001i
----------------	-----------------	----------------

H3067220	H306-20/23/29
B	A1400100001~
C	A1400300001~
D	A1400400001~
E	A1400900001~
F	A1410300101~
G	TBA
H	TBA

H3067245	H306-30/40/51/59/60
A	A1400900431~
B	A1410300001~
C	TBA
D	TBA
E	TBA

**NOTE:** Please refer to RTB No. RH306013 whenever upgrading the main firmware **from** the following versions:

USA	: H3067220 <b>E</b>	Ver. <b>31 or older</b>
EU1 / Asia	: H3067245 <b>A</b>	Ver. <b>26 or older</b>
EU2	: H3067246 <b>A</b>	Ver. <b>26 or older</b>
EU3	: H3067247 <b>A</b>	Ver. <b>26 or older</b>
EU4	: H3067248 <b>A</b>	Ver. <b>26 or older</b>
EU5	: H3067249 <b>A</b>	Ver. <b>26 or older</b>